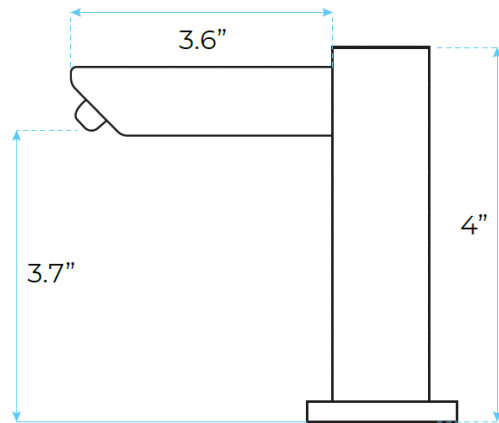
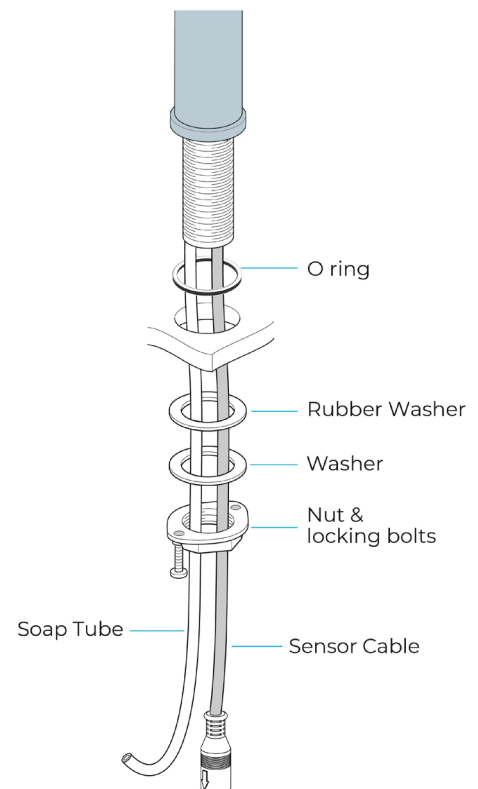


## BATHSELECT BRUSHED NICKEL COMMERCIAL DECK MOUNT AUTOMATIC INTELLIGENT TOUCHLESS SOAP DISPENSER SPECS



### Specs:

- Product Type: Commercial
- Main Construction Material: Brass
- Mount Type: Deck
- Handle Type: Infra-Red
- Power supply : AC110~240V;DC 6V
- Power consumption: Standby 0.4W( $\leq 3W$ );Operation 1.2W( $\leq 5W$ )
- Sensing distance : 0.5 to 5.5 cm
- Valve/Cartridge Type: Solenoid Valve
- Length of sensing cable : 0.85m~1.6m
- Flow Rate: Maximum 1.8 GPM
- Soap volume: 0.5~3mL adjustable
- Soap viscosity: 100~3800 cps
- Factory setting:  $1.25 \pm 0.25$ mL



[Visit Product Page](#)